

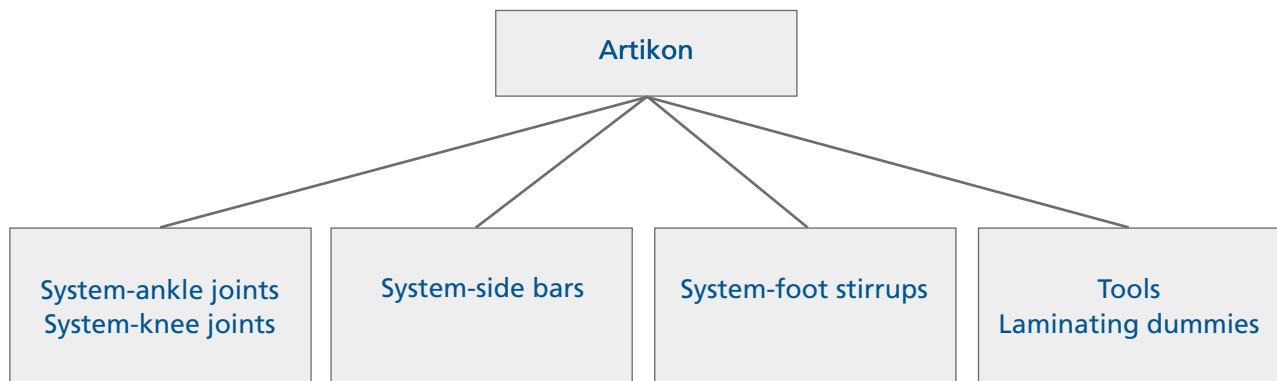
## Product Information Artikon – Orthotic Joint System





- System-ankle joints without spring..... 7 – 8
- Stirrup for system-ankle joints without spring ..... 9 – 10
- System-ankle joints with spring..... 11 – 12
- Stirrup for system-ankle joints with spring..... 13 – 14
- System-knee joints..... 15 – 17
- System-knee joints – tapered ..... 18 – 20
- System-side bars ..... 21 – 23
- Spare parts ..... 24 – 25
- Tools and laminating dummies..... 26 – 29
- Knee joint bars for children..... 30
- Tools and laminating dummies for knee joint bars for children ..... 31
- Elastic Joint for orthoses ..... 32 – 33
- Explanation of symbols ..... 34

## Artikon – dynamic orthotic joint system



With the new Artikon series, Streifeneder ortho.production GmbH offers high quality system joints, system bars and system foot stirrups for the construction of dynamic ankle, thigh and knee orthoses. The construction of these orthoses supports the dynamic functions of the body and they can be used for indications such as

- paralysis following poliomyelitis
- hemiplegia
- peroneal paralysis.

Thanks to the standardisation of the screws used, the only thing needed to assemble the joints is a Torx spanner of a size which is supplied with every joint. Depending on the user profile, the Artikon series can be installed in 16 or 20 mm system width. Joints are available in straight or offset shape for patients' various anatomical requirements.

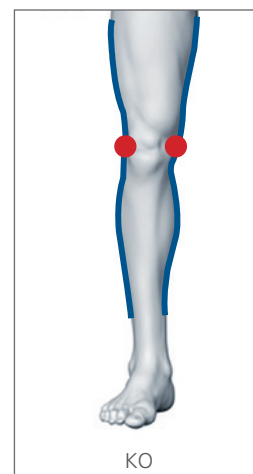
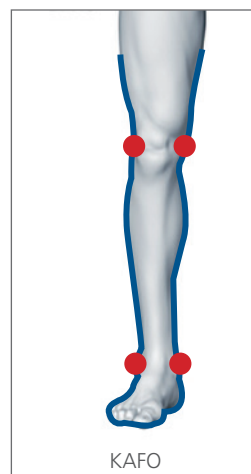
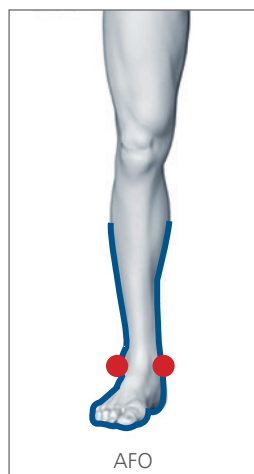
### Artikon.junior

The knee joint bars Artikon.junior were developed for child-appropriate care of patients with flaccid paralysis, such as following an instance of poliomyelitis or spastic paralysis such as infantile cerebral palsy (ICP). The rails are tailored towards the special needs of children both when selecting the materials and with regard to the safety aspects and they help young patients to achieve greater mobility in their everyday lives.

### International classification by included joints

FO	Foot-Orthosis
AFO	Ankle-Foot-Orthosis
KAFO	Knee-Ankle-Foot-Orthosis
HKAFO	Hip-Knee-Ankle-Foot-Orthosis
KO	Knee-Orthosis
HO	Hip-Orthosis

### Use of the joints



System-ankle joints  
Artikon.malleo 1J10 and 1J30



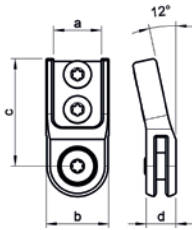
System-knee joints  
Artikon.genu 2J10 and 2J10V



#### Important note:

According to the medical device regulation, manufacturing of individual orthoses are custom-made products. Construction and reinforcement (layered construction) are individual and depend on body height, body weight, the clinical picture and the activity of the user.





picture similar

## Artikon.malleo System-Ankle Joint Set without spring

straight lateral joint side, offset medial joint side

- joint for motion control
- universally applicable for either side
- freely movable
- bilateral application
- incl. 4 high-quality Torx screws for side bar mounting
- incl. Torx wrench

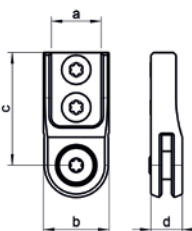
### Accessories

- spare part set 1J10/E50
- adjusting-tool set 145M60
- laminating dummies 1J10/16D, 1J10/20D

System width a	Weight	Material	Item-No.
16 mm	82 g	stainless steel	1J10/16
20 mm	100 g	stainless steel	1J10/20

### Dimensions chart

Dimensions	Description	System width	
		a = 16 mm	a = 20 mm
b	head diameter	21 mm	25 mm
c	length from joint centre	36 mm	36 mm
d	joint head thickness	10 mm	10 mm



picture similar

## Artikon.malleo System-Ankle Joint Set without spring

straight lateral joint side, straight medial joint side

- joint for motion control
- universally applicable for either side
- freely movable
- bilateral application
- incl. 4 high-quality Torx screws for side bar mounting
- incl. Torx wrench

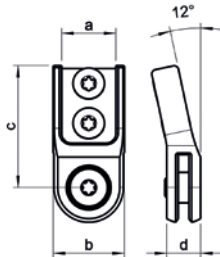
### Accessories

- spare part set 1J10/E50
- adjusting-tool set 145M60
- laminating dummies 1J10/16D, 1J10/20D

System width a	Weight	Material	Item-No.
16 mm	82 g	stainless steel	1J11/16
20 mm	104 g	stainless steel	1J11/20

### Dimensions chart

Dimensions	Description	System width	
		a = 16 mm	a = 20 mm
b	head diameter	21 mm	25 mm
c	length from joint centre	36 mm	36 mm
d	joint head thickness	10 mm	10 mm



## Artikon.malleo System-Ankle Joint Set without spring

offset lateral joint side, offset medial joint side

- joint for motion control
- universally applicable for either side
- freely movable
- bilateral application
- incl. 4 high-quality Torx screws for side bar mounting
- incl. Torx wrench

### Accessories

- spare part set 1J10/E50
- adjusting-tool set 145M60
- laminating dummies 1J10/16D, 1J10/20D

System width a	Weight	Material	Item-No.
16 mm	82 g	stainless steel	1J12/16
20 mm	96 g	stainless steel	1J12/20

### Dimensions chart

Dimensions	Description	System width	
		a = 16 mm	a = 20 mm
b	head diameter	21 mm	25 mm
c	length from joint centre	36 mm	36 mm
d	joint head thickness	10 mm	10 mm

picture similar



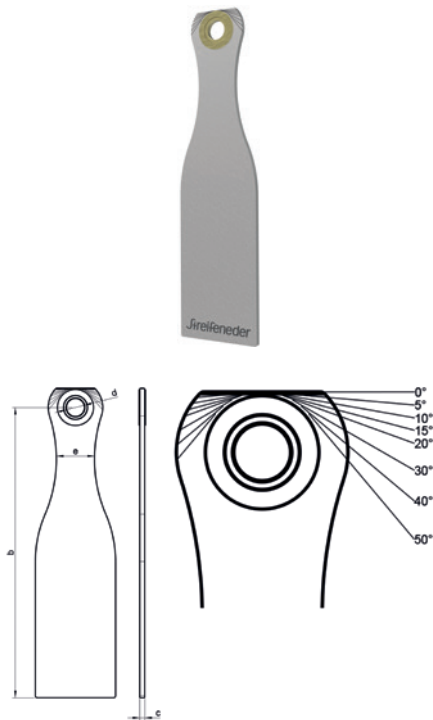
## Artikon.malleo System Stirrup Rivet Technology

for Artikon.malleo ankle joints without spring 1J10, 1J11, 1J12

- universal stirrup in rivet technology, with oil-free bushing and thrust washers
- the stirrup forms the second, movable part of the ankle joint
- individually grindable dorsal extension/plantar extension to max. 50°
- factory setting: stop on both sides at 0°

### Accessories

- spare part set 1J20/E50




picture similar

System width a	Weight	Material	Item-No.
16 mm	99 g	stainl. steel/ bronze	1J20/16
20 mm	141 g	stainl. steel/ bronze	1J20/20

### Dimensions chart

Dimensions	Description	System width	
		a = 16 mm	a = 20 mm
b	length from joint centre	145 mm	165 mm
c	thickness	2,5 mm	3 mm
d	drill hole diameter	9 mm	9 mm
e	neck width	19 mm	21 mm

 Proximal end of the foot stirrup with laser marks to simplify grinding of the individual dorsal- or plantar stop.

## Artikon.malleo System Stirrup Lamination Technology

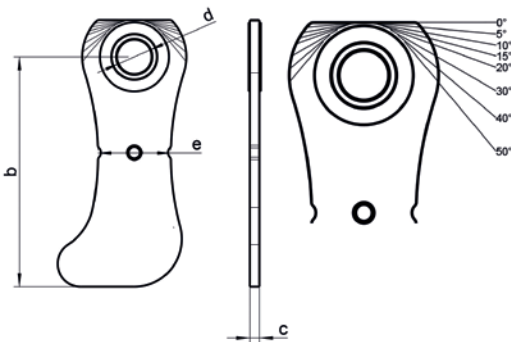
for Artikon.malleo ankle joints without spring 1J10, 1J11, 1J12



- universal stirrup in lamination technology, with oil-free bushing and thrust washers
- the stirrup forms the second, movable part of the ankle joint
- individually grindable dorsal extension/plantar extension to max. 50°
- factory setting: stop on both sides at 0°
- stirrup shape designed for lamination technology
- anchors in the laminate by pre-moulded nose; prevents shifting even at high load

### Accessories

- spare part set 1J20/E50




picture similar

System width a	Weight	Material	Item-No.
16 mm	32 g	stainl. steel/ bronze	1J21/16
20 mm	46 g	stainl. steel/ bronze	1J21/20

### Dimensions chart

Dimensions	Description	System width	
		a = 16 mm	a = 20 mm
b	length from joint centre	60 mm	60 mm
c	thickness	2,5 mm	3 mm
d	drill hole diameter	9 mm	9 mm
e	neck width	19 mm	23 mm

 Proximal end of the foot stirrup with laser marks to simplify grinding of the individual dorsal- or plantar stop.



picture similar

## Artikon.malleo System-Ankle Joint Set with spring – left

straight lateral joint side, offset medial joint side

- joint for motion control
- for application on left side
- freely movable
- bilateral application
- pressure spring for foot lifting function
- incl. 4 high-quality Torx screws for side bar mounting
- incl. Torx wrench

### Accessories

- spare part set 1J30/E50
- adjusting-tool set 145M60
- laminating dummies 1J30/16D, 1J30/20D

System width a	Weight	Material	Item-No.
16 mm	174 g	stainless steel	1J30/16L
20 mm	223 g	stainless steel	1J30/20L

### Dimensions chart

Dimensions	Description	System width	
		a = 16 mm	a = 20 mm
b	head diameter	28,5 mm	32,5 mm
c	length from joint centre	51 mm	58 mm
d	joint head thickness	10 mm	10 mm



picture similar

## Artikon.malleo System-Ankle Joint Set with spring – right

straight lateral joint side, offset medial joint side

- joint for motion control
- for application on right side
- freely movable
- bilateral application
- pressure spring for foot lifting function
- incl. 4 high-quality Torx screws for side bar mounting
- incl. Torx wrench

### Accessories

- spare part set 1J30/E50
- adjusting-tool set 145M60
- laminating dummies 1J30/16D, 1J30/20D

System width a	Weight	Material	Item-No.
16 mm	174 g	stainless steel	1J30/16R
20 mm	223 g	stainless steel	1J30/20R

### Dimensions chart

Dimensions	Description	System width	
		a = 16 mm	a = 20 mm
b	head diameter	28,5 mm	32,5 mm
c	length from joint centre	51 mm	58 mm
d	joint head thickness	10 mm	10 mm



picture similar

## Artikon.malleo System-Ankle Joint Set with spring

straight lateral joint side, straight medial joint side

- joint for motion control
- universally applicable for either side
- freely movable
- bilateral application
- pressure spring for foot lifting function
- incl. 4 high-quality Torx screws for side bar mounting
- incl. Torx wrench

### Accessories

- spare part set 1J30/E50
- adjusting-tool set 145M60
- laminating dummies 1J30/16D, 1J30/20D

System width a	Weight	Material	Item-No.
16 mm	174 g	stainless steel	1J31/16L
20 mm	223 g	stainless steel	1J31/20L

### Dimensions chart

Dimensions	Description	System width	
		a = 16 mm	a = 20 mm
b	head diameter	28,5 mm	32,5 mm
c	length from joint centre	51 mm	58 mm
d	joint head thickness	10 mm	10 mm



picture similar

## Artikon.malleo System-Ankle Joint Set with spring

offset lateral joint side, offset medial joint side

- joint for motion control
- universally applicable for either side
- freely movable
- bilateral application
- pressure spring for foot lifting function
- incl. 4 high-quality Torx screws for side bar mounting
- incl. Torx wrench

### Accessories

- spare part set 1J30/E50
- adjusting-tool set 145M60
- laminating dummies 1J30/16D, 1J30/20D

System width a	Weight	Material	Item-No.
16 mm	173 g	stainless steel	1J32/16
20 mm	220 g	stainless steel	1J32/20

### Dimensions chart

Dimensions	Description	System width	
		a = 16 mm	a = 20 mm
b	head diameter	28,5 mm	32,5 mm
c	length from joint centre	51 mm	58 mm
d	joint head thickness	10 mm	10 mm

## Artikon.malleo System Stirrup Rivet Technology

for Artikon.malleo ankle joints with spring 1J30, 1J31, 1J32

- universal stirrup in rivet technology, with oil-free bushing and thrust washers
- the stirrup forms the second, movable part of the ankle joint
- individually grindable dorsal extension to max. 20°
- factory setting: plantar flexion stop at 0°


### Accessories

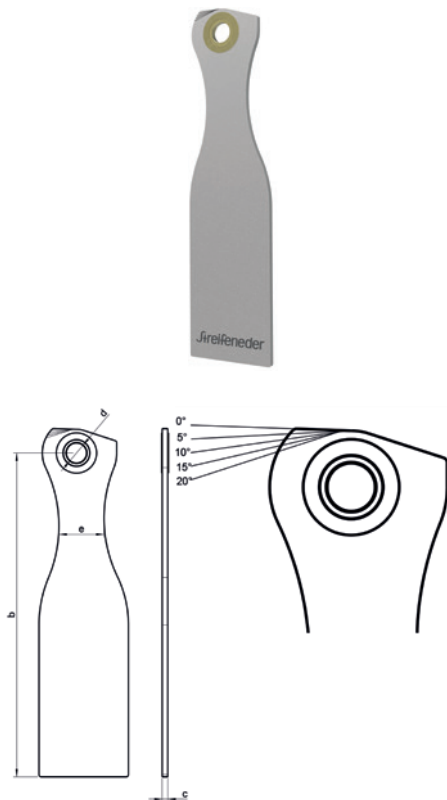
- spare part set 1J20/E50

System width a	Weight	Material	Item-No.
16 mm	102 g	stainl. steel/ bronze	1J40/16
20 mm	158 g	stainl. steel/ bronze	1J40/20

### Dimensions chart

Dimensions	Description	System width	
		a = 16 mm	a = 20 mm
b	length from joint centre	145 mm	165 mm
c	thickness	2,5 mm	3 mm
d	drill hole diameter	9 mm	9 mm
e	neck width	20,2 mm	22,2 mm

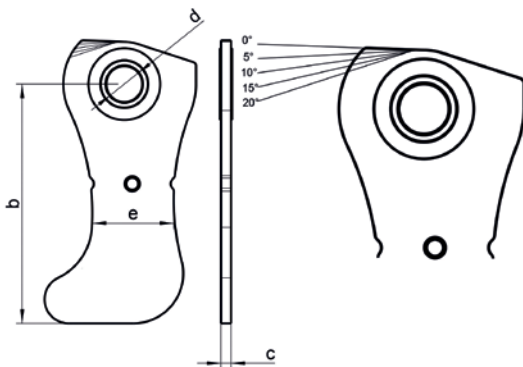
 Proximal end of the foot stirrup with laser marks to simplify grinding of the individual dorsal- or plantar stop.



picture similar

## Artikon.malleo System Stirrup Lamination Technology

for Artikon.malleo ankle joints with spring 1J30, 1J31, 1J32



picture similar

- universal stirrup in lamination technology, with oil-free bushing and thrust washers
- the stirrup forms the second, movable part of the ankle joint
- individually grindable dorsal extension to max. 20°
- factory setting: plantar flexion stop at 0°
- stirrup shape designed for lamination technology
- anchors in the laminate by pre-moulded nose; prevents shifting even at high load


### Accessories

- spare part set 1J20/E50

System width a	Weight	Material	Item-No.
16 mm	36 g	stainl. steel/ bronze	1J41/16
20 mm	50 g	stainl. steel/ bronze	1J41/20

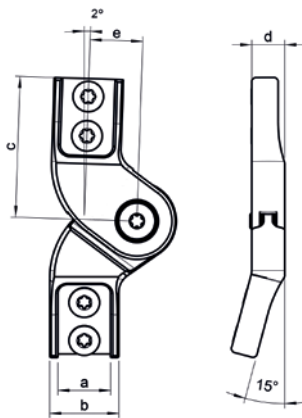
### Dimensions chart

Dimensions	Description	System width	
		a = 16 mm	a = 20 mm
b	length from joint centre	60 mm	60 mm
c	thickness	2,5 mm	3 mm
d	drill hole diameter	9 mm	9 mm
e	neck width	20,4 mm	22,7 mm

 Proximal end of the foot stirrup with laser marks to simplify grinding of the individual dorsal- or plantar stop.

## Artikon.genu System-Knee Joint Set – left

straight lateral joint sides, offset medial joint side at the bottom, straight medial joint side at the upper side



- monocentric joint for motion control
- for application on left side
- freely movable
- bilateral application
- as the joints are positioned offset to the pivot point of the bars, the bars can be positioned optimally at the upper and lower thigh
- extension stop 2° positive
- with ball bearing
- 4 sliding discs
- 2 stop bumpers
- incl. 8 high-quality Torx screws for side bar mounting
- incl. Torx wrench

### Accessories

- spare part set 2J10/E50
- adjusting-tool set 145M60
- laminating dummies 2J10/16D, 2J10/20D

System width a	Weight	Material	Item-No.
16 mm	225 g	stainless steel	2J10/16L
20 mm	247 g	stainless steel	2J10/20L

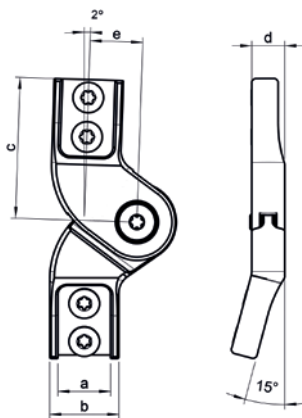
### Dimensions chart

Dimensions	Description	System width	
		a = 16 mm	a = 20 mm
b	joint head width	21 mm	25 mm
c	length from joint centre	43 mm	43 mm
d	joint head thickness	10 mm	10 mm
e	pushed back pivot-point	16 mm	16 mm

picture similar

## Artikon.genu System-Knee Joint Set – right

straight lateral joint sides, offset medial joint side at the bottom, straight medial joint side at the upper side



- monocentric joint for motion control
- for application on right side
- freely movable
- bilateral application
- as the joints are positioned offset to the pivot point of the bars, the bars can be positioned optimally at the upper and lower thigh
- extension stop 2° positive
- with ball bearing
- 4 sliding discs
- 2 stop bumpers
- incl. 8 high-quality Torx screws for side bar mounting
- incl. Torx wrench

### Accessories

- spare part set 2J10/E50
- adjusting-tool set 145M60
- laminating dummies 2J10/16D, 2J10/20D

System width a	Weight	Material	Item-No.
16 mm	225 g	stainless steel	2J10/16R
20 mm	247 g	stainless steel	2J10/20R

### Dimensions chart

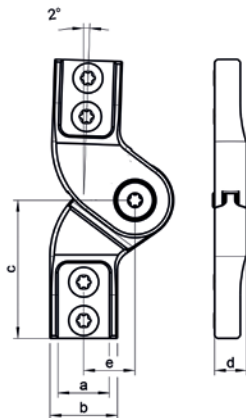
Dimensions	Description	System width	
		a = 16 mm	a = 20 mm
b	joint head width	21 mm	25 mm
c	length from joint centre	43 mm	43 mm
d	joint head thickness	10 mm	10 mm
e	pushed back pivot-point	16 mm	16 mm

picture similar



## Artikon.genu System-Knee Joint Set

straight lateral joint sides, straight medial joint sides



- monocentric joint for motion control
- universally applicable for either side
- freely movable
- bilateral application
- as the joints are positioned offset to the pivot point of the bars, the bars can be positioned optimally at the upper and lower thigh
- extension stop 2° positive
- with ball bearing
- 4 sliding discs
- 2 stop bumpers
- incl. 8 high-quality Torx screws for side bar mounting
- incl. Torx wrench

### Accessories

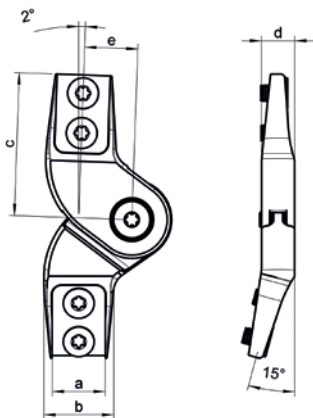
- spare part set 2J10/E50
- adjusting-tool set 145M60
- laminating dummies 2J10/16D, 2J10/20D

System width a	Weight	Material	Item-No.
16 mm	227 g	stainless steel	2J11/16
20 mm	249 g	stainless steel	2J11/20

### Dimensions chart

Dimensions	Description	System width	
		a = 16 mm	a = 20 mm
b	joint head width	21 mm	25 mm
c	length from joint centre	43 mm	43 mm
d	joint head thickness	10 mm	10 mm
e	pushed back pivot-point	16 mm	16 mm

picture similar



## Artikon.genu System-Knee Joint Set tapered – left

straight lateral joint sides, offset medial joint side at the bottom, straight medial joint side at the upper side

- for lamination technique only, not suitable for traditional steel-leather KAFOs
- monocentric joint for motion control
- for application on left side
- tapered shape
- freely movable
- bilateral application
- as the joints are positioned offset to the pivot point of the bars, the bars can be positioned optimally at the upper and lower thigh
- extension stop 2° positive
- with ball bearing
- 4 sliding discs
- 2 stop bumpers
- incl. 8 high-quality Torx screws for side bar mounting
- incl. Torx wrench

### Accessories

- spare part set 2J10/E50
- adjusting-tool set 145M60
- laminating dummies 2J10/16D, 2J10/20D

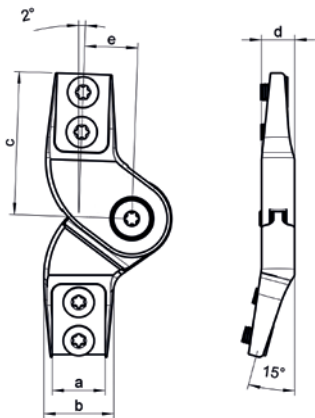
System width a	Weight	Material	Item-No.
16 mm	199 g	stainless steel	2J10/16LV
20 mm	216 g	stainless steel	2J10/20LV

### Dimensions chart

Dimensions	Description	System width	System width
		a = 16 mm	a = 20 mm
b	joint head width	21 mm	25 mm
c	length from joint centre	43 mm	43 mm
d	joint head thickness	10 mm	10 mm
e	pushed back pivot-point	16 mm	16 mm

 The tapered shape does not require grinding of the joints.

picture similar



picture similar

## Artikon.genu System-Knee Joint Set tapered – right

straight lateral joint sides, offset medial joint side at the bottom, straight medial joint side at the upper side

- for lamination technique only, not suitable for traditional steel-leather KAFOs
- monocentric joint for motion control
- for application on right side
- tapered shape
- freely movable
- bilateral application
- as the joints are positioned offset to the pivot point of the bars, the bars can be positioned optimally at the upper and lower thigh
- extension stop 2° positive
- with ball bearing
- 4 sliding discs
- 2 stop bumpers
- incl. 8 high-quality Torx screws for side bar mounting
- incl. Torx wrench

### Accessories

- spare part set 2J10/E50
- adjusting-tool set 145M60
- laminating dummies 2J10/16D, 2J10/20D

System width a	Weight	Material	Item-No.
16 mm	199 g	stainless steel	2J10/16RV
20 mm	216 g	stainless steel	2J10/20RV

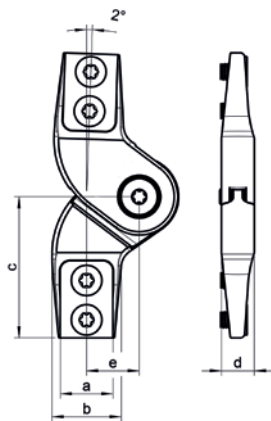
### Dimensions chart

Dimensions	Description	System width	System width
		a = 16 mm	a = 20 mm
b	joint head width	21 mm	25 mm
c	length from joint centre	43 mm	43 mm
d	length from joint centre	10 mm	10 mm
e	pushed back pivot-point	16 mm	16 mm

 The tapered shape does not require grinding of the joints.

## Artikon.genu System-Knee Joint Set tapered

straight lateral joint sides, straight medial joint sides



- for lamination technique only, not suitable for traditional steel-leather KAFOs
- monocentric joint for motion control
- universally applicable for either side
- tapered shape
- freely movable
- bilateral application
- as the joints are positioned offset to the pivot point of the bars, the bars can be positioned optimally at the upper and lower thigh
- extension stop 2° positive
- with ball bearing
- 4 sliding discs
- 2 stop bumpers
- incl. 8 high-quality Torx screws for side bar mounting
- incl. Torx wrench


### Accessories

- spare part set 2J10/E50
- adjusting-tool set 145M60
- laminating dummies 2J10/16D, 2J10/20D

System width a	Weight	Material	Item-No.
16 mm	199 g	stainless steel	2J11/16V
20 mm	216 g	stainless steel	2J11/20V

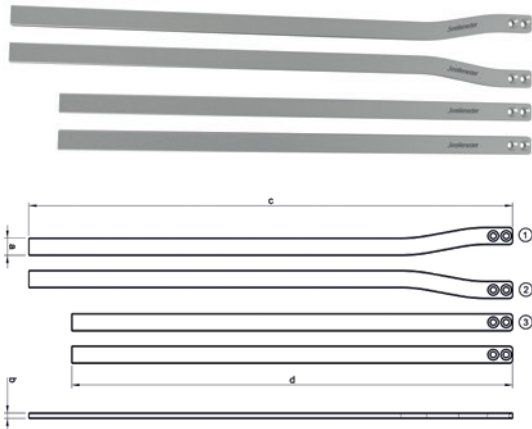
### Dimensions chart

Dimensions	Description	System width a = 16 mm	System width a = 20 mm
b	joint head width	21 mm	25 mm
c	length from joint centre	43 mm	43 mm
d	joint head thickness	10 mm	10 mm
e	pushed back pivot- point	16 mm	16 mm

 The tapered shape does not require grinding of the joints.

picture similar

## Artikon System-Side Bar Set – Aluminum



- connection element from knee joint to ankle joint
- flat
- 1 set consisting of left and right side bar between knee/ankle and 2 side bars between knee/hip


System width a	Weight	Material	PU	Item-No.
16 mm	365 g	aluminum	1 set	3J10/A16
20 mm	455 g	aluminum	1 set	3J10/A20

Side bars also separately available

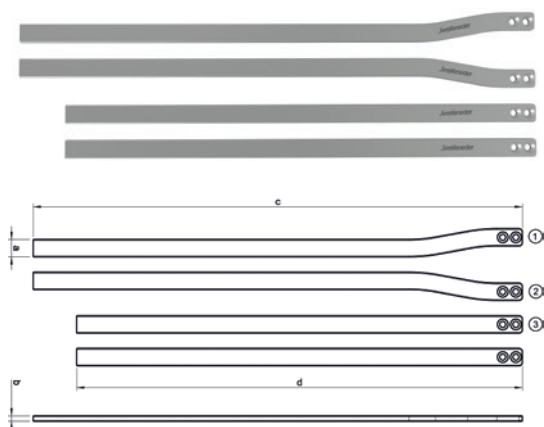
Single part	System width a	Weight	PU	Item-No.
1) left side bar between knee/ankle	16 mm	95 g	1 pc.	3J10/A16E1
2) right side bar between knee/ankle	16 mm	95 g	1 pc.	3J10/A16E2
3) side bar between knee/hip	16 mm	86 g	1 pc.	3J10/A16E3
1) left side bar between knee/ankle	20 mm	119 g	1 pc.	3J10/A20E1
2) right side bar between knee/ankle	20 mm	119 g	1 pc.	3J10/A20E2
3) side bar between knee/hip	20 mm	109 g	1 pc.	3J10/A20E3

Dimensions chart

Dimensions	Description	System width a = 16 mm	System width a = 20 mm
b	thickness	5 mm	5 mm
c	length side bar between knee/ankle	450 mm	450 mm
d	length side bar knee/hip	410 mm	410 mm

 For finishing works, we recommend the contouring irons 165P60, 165P65 and 165P69. Please see our catalogue „Machines & Tools“! To secure the side bars, glue the bars using UHU-PLUS® Adhesive 300 (118P32) according to package instructions.

## Artikon System-Side Bar Set – Stainless Steel



- connection element from knee joint to ankle joint
- flat
- 1 set consisting of left and right side bar between knee/ankle and 2 side bars between knee/hip


System width a	Weight	Material	PU	Item-No.
16 mm	830 g	stainl. steel	1 set	3J10/S16
20 mm	1040 g	stainl. steel	1 set	3J10/S20

Side bars also separately available

Single part	System width a	Weight	PU	Item-No.
1) left side bar between knee/ankle	16 mm	217 g	1 pc.	3J10/S16E1
2) right side bar between knee/ankle	16 mm	217 g	1 pc.	3J10/S16E2
3) side bar between knee/hip	16 mm	198 g	1 pc.	3J10/S16E3
1) left side bar between knee/ankle	20 mm	272 g	1 pc.	3J10/S20E1
2) right side bar between knee/ankle	20 mm	272 g	1 pc.	3J10/S20E2
3) side bar between knee/hip	20 mm	248 g	1 pc.	3J10/S20E3

Dimensions chart

Dimensions	Description	System width a = 16 mm	System width a = 20 mm
	thickness	4 mm	4 mm
	length side bar between knee/ankle	450 mm	450 mm
	length side bar between knee/hip	410 mm	410 mm

 For finishing works, we recommend the contouring irons 165P60, 165P65 and 165P69. Please see our catalogue „Machines & Tools“! To secure the side bars, glue the bars using UHU-PLUS® Adhesive 300 (118P32) according to package instructions.

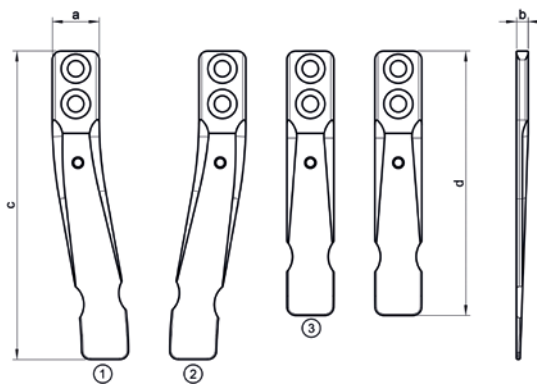
## Artikon System-Laminating Bar Set – Stainless Steel



- connection element from knee joint to ankle joint with anchor in laminate
- flat
- left and right side bar between knee/ankle
- 2 side bars between knee/hip
- long, flat end of the inclined area

System width a	Weight	Material	PU	Item-No.
16 mm	127 g	stainl. steel	1 set	3J20/S16
20 mm	160 g	stainl. steel	1 set	3J20/S20


Side bars also separately available



Single part	System width a	Weight	PU	Item-No.
1) left side bar between knee/ankle	16 mm	34 g	1 pc.	3J20/S16E1
2) right side bar between knee/ankle	16 mm	34 g	1 pc.	3J20/S16E2
3) side bar between knee/hip	16 mm	30 g	1 pc.	3J20/S16E3
1) left side bar between knee/ankle	20 mm	43 g	1 pc.	3J20/S20E1
2) right side bar between knee/ankle	20 mm	43 g	1 pc.	3J20/S20E2
3) side bar between knee/hip	20 mm	37 g	1 pc.	3J20/S20E3

Dimensions chart

Dimensions	Description	System width a =	
		16 mm	System width a = 20 mm
b	thickness	4 mm	4 mm
c	length side bar between knee/ankle	105 mm	105 mm
d	length side bar between knee/hip	90 mm	90 mm

 For finishing works, we recommend the contouring irons 165P60, 165P65 and 165P69. Please see our catalogue „Machines & Tools“! To secure the side bars, glue the bars using UHU-PLUS® Adhesive 300 (118P32) according to package instructions.



### Artikon.malleo Spare Parts Set

spare parts set for Artikon.malleo ankle joints without spring 1J10, 1J11, 1J12

#### Components

splint bolts M6, 2 bearing screws M6, 4 Torx screws M5, 1 special mounting grease 5 g (22J100)

<b>Item-No.</b>
1J10/E50



### Artikon.malleo Spare Parts Set

spare parts set for Artikon.malleo ankle joints with spring 1J30, 1J31, 1J32

#### Components

2 splint bolts M6, 2 bearing screws M6, 2 pressure springs size 16, 2 pressure springs size 20, 2 threaded pins M8, 2 pressure pieces, 2 balls, 4 Torx-screws M5, 1 special mounting grease 5 g (22J100)

<b>Item-No.</b>
1J30/E50



### Artikon.malleo Spare Parts Set

spare parts set for Artikon.malleo stirrup 1J20, 1J21, 1J40, 1J41

#### Components

2 oil-free bushings size 16, 2 oil-free bushings size 20, 8 sliding discs, 1 special mounting grease 5 g (22J100)

<b>Item-No.</b>
1J20/E50



### Artikon.genu Spare Part Set

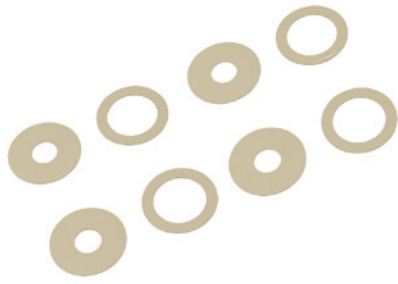
spare parts set for Artikon.genu knee joints 2J10, 2J11

#### Components

2 bearing screws M5, 2 stop bumpers size 16, 2 stop bumpers size 20, 2 grooved ball bearings, 2 sliding discs (inner Ø 8 mm), 2 sliding discs (inner Ø 16 mm), 8 Torx-screws, 1 special mounting grease 5 g (22J100)

<b>Item-No.</b>
2J10/E50





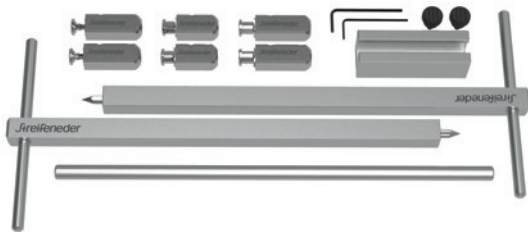
## Artikon.genu Spare Part Set

sliding disk set for Artikon.genu knee joints 2J10/L, 2J10R, 2J11, 2J10LV, 2J10RV, 2J11V

### Components

4 sliding discs E6, 4 sliding discs E7

Item-No.
2J10/E90




## Artikon Parallel Aligning Tool Set

tool set for aligning the Artikon orthosis joints

### Components

- 2 adjustment axes for orthotic joints (145M61)
- 2 adjustment adapters with collar screw for Artikon.malleo ankle joints (145M63)
- 2 adjustment adapters with collar screw for Artikon.genu knee joints (145M62)
- 1 aligning bar (145M64/E1)
- 1 parallel aligning gauge
- 2 knurled-head screws
- 1 allen key SW 1,5
- 1 allen key SW 2

	Item-No.
	145M60

 The round front shape of the adjustment adapter avoids breaking or fraying of the cast during adjustment works.



## Artikon Adjustment Axis for Orthotic Joints

- with centering tip
- dummy for adjustment adapter

Material	PU	Item-No.
aluminum	1 pc.	145M61



## Artikon Adjustment Adapter with collar screw for Artikon.malleo Ankle Joints

- form lock of the adjustment adapter prevents torsion of the joint

Material	PU	Item-No.
stainless steel	1 pc.	145M63



## Artikon Adjustment Adapter with collar screw for Artikon.genu Knee Joints

- form lock of the adjustment adapter prevents torsion of the joint

Material	PU	Item-No.
stainless steel	1 pc.	145M62



## Artikon Drill Jig

for Artikon system-side bars

- for drilling of the mounting holes into Artikon system-side bars

Material	for system-side bars	Item-No.
aluminum	3J10/S16, 3J10/S20, 3J10/A16, 3J10/A20, 3J20/S16, 3J20/S20	145M80



## Artikon Pressing Tool for removing/inserting

of Artikon ball bearing

- for mounting and demounting the ball bearing into Artikon.genu knee joints 2J10 and 2J11

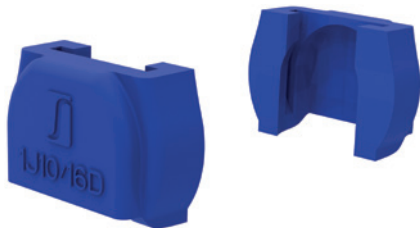
Material	PU	Item-No.
stainless steel	1 pc.	145M81



## Artikon Aligning Bar

- serves as positioning aid for aligning the adjustment adapters
- length: 300 mm

Material	PU	Item-No.
aluminum	1 pc.	145M64/E1



## Artikon.malleo Laminating Dummy Set


laminating dummies for Artikon.malleo ankle joints without spring 1J10, 1J11, 1J12

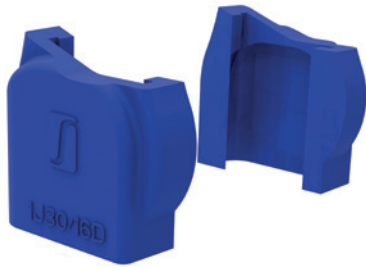
- for laminating of ankle joints without spring
- protects visible joint surface
- prevents resin entering sensitive areas such as bearings
- single use

### Accessories

- Abdosil H 82E5

Material	System width a	For ankle joints	Item-No.
silicone	16 mm	1J10/16, 1J11/16, 1J12/16	1J10/16D
silicone	20 mm	1J10/20, 1J11/20, 1J12/20	1J10/20D

 Seal the joints and bearings additionally with Abdosil H 82E5.



## Artikon.malleo Laminating Dummy Set


laminating dummies for Artikon.malleo ankle joints with spring 1J30, 1J31, 1J32

- for laminating of ankle joints with spring
- protects visible joint surface
- prevents resin entering sensitive areas such as bearings and spring channel
- single use

### Accessories

- Abdosil H 82E5

Material	System width a	For ankle joints	Item-No.
silicone	16 mm	1J30/16L, 1J30/16R, 1J31/16, 1J32/16	1J30/16D
silicone	20 mm	1J30/20L, 1J30/20R, 1J31/20, 1J32/20	1J30/20D

 Seal the joints (incl. spring channel) and bearings additionally with Abdosil H 82E5.



## Artikon.genu Laminating Dummy Set


laminating dummies for Artikon.genu knee joints 2J10, 2J11

- for laminating of knee joints
- protects visible joint surface
- prevents resin entering sensitive areas such as bearings
- single use

### Accessories

- Abdosil H 82E5

Material	System width a	For knee joints	Item-No.
silicone	16 mm	2J10/16L, 2J10/16R, 2J11/16, 2J10/16LV, 2J10/16RV, 2J11/16V	2J10/16D
silicone	20 mm	2J10/20L, 2J10/20R, 2J10/20, 2J10/20LV, 2J10/20RV, 2J11/20V	2J10/20D

 Seal the joints and bearings additionally with Abdosil H 82E5.



picture similar

## Special Mounting Grease for Artikon Orthosis Joints

### Material

- heavy-duty grease

### Application

- for bearing lubrication of all Artikon joints

### Characteristics

- waterproof
- oxidation- and aging resistant
- application range -30 °C to +110 °C
- food approval

Content	Item-No.
5 g	22J100



## UHU®-Plus Adhesive 300

### Material

- two-component adhesive, based on epoxy resin
- brand product

### Application

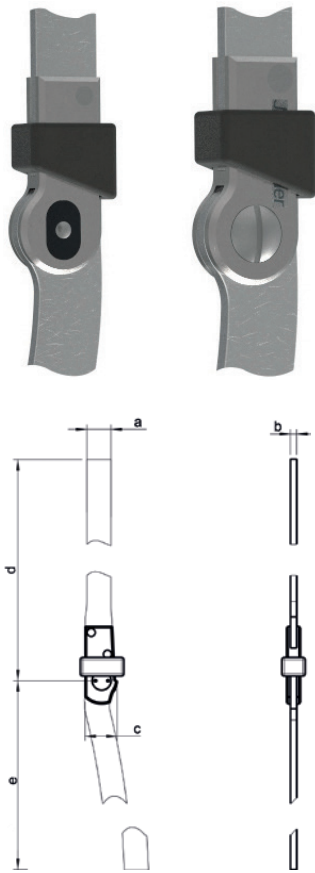
- for strong bondings between various materials except PE and PP

### Characteristics

- mixing ratio binder and hardener: 1:1
- working time (open time) approx. 120 min.
- final strength after approx. 12 – 24 hours

PU = 1 set

Content Bond	Content Hardener	Item-No.
18 g	15 g	118P32



picture similar

## Artikon.junior


knee joint bars for children

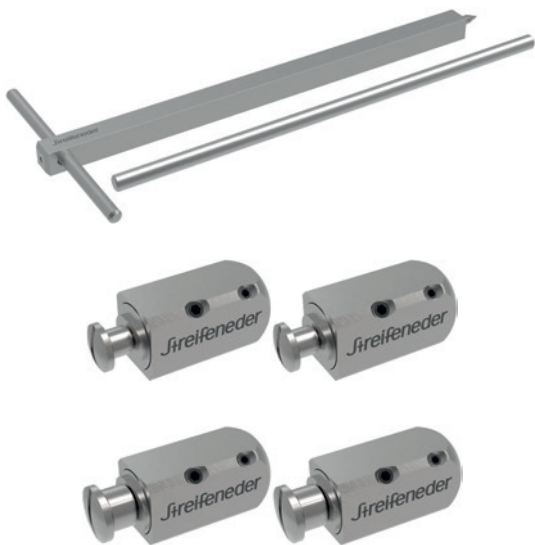
- with ring lock
- flat
- joints made of stainless steel
- upper and bottom bar made of aluminum

System width a	Weight	Material joint/bar	Material ring lock	Item-No.
12 mm	174 g	stainl. steel/ aluminum	cast steel	8J22/S12
14 mm	211 g	stainl. steel/ aluminum	cast steel	8J22/S14
16 mm	406 g	stainl. steel/ aluminum	cast steel	8J22/S16

Dimensions chart

Dimensions	Description	System width a = 12 mm	System width a = 14 mm	System width a = 16 mm
b	bar thickness	3 mm	3 mm	4 mm
c	joint head $\varnothing$	18 mm	18 mm	20 mm
d	bar length upper part	250 mm	300 mm	390 mm
e	bar length bottom part	260 mm	320 mm	410 mm

 For motion in the ankle joint we recommend our elastic joints for orthoses 10J1 – 14J1.



## Artikon.junior Tools


- for aligning Artikon.junior knee joint bars for children

### Tools

- adjustment axis for orthotic joints (145M61), dummy for adjustment adapters
- aligning bar (145M64/E1), positioning aid for aligning the adjustment adapters
- adjustment adapter set for childrens' bars (145M71) for system width 12 and 14 mm
- adjustment adapter set for childrens' bars (145M72) for system width 16 mm

Description	Material	PU	Item-No.
adjustment axis	aluminum	1 pc.	145M61
aligning bar	aluminum	1 pc.	145M64/E1

Description	System width	Material	PU	Item-No.
adjustment adapter set	12 mm, 14 mm	stainl. steel	2 pcs.	145M71
adjustment adapter set	16 mm	stainl. steel	2 pcs.	145M72

 The round front shape of the adjustment adapter avoids breaking or fraying of the cast during adjustment works.



## Elastic Joints for Orthoses

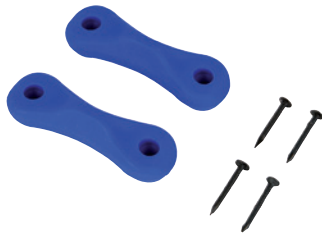
for Artikon.junior

- material: polyurethane (PUR)
- elastic joints are very durable, multifunctional in applications and movement supporting joints for orthoses
- the higher the flex grade (75, 85 or 95), the higher the motion support for dorsal- resp. plantar flexion

### Components

1 pair of joints, 4 brass inserts, 4 oval-head screws, 4 paddings (self-adhesive pads for the inside), 2 dummies incl. 4 nails

Size	Flex grade	Length	Item-No.
S	Neutral	32 mm	10J1/S
M	Neutral	38 mm	10J1/M
L	Neutral	45 mm	10J1/L
S	Flex 75	32 mm	11J1/S
M	Flex 75	38 mm	11J1/M
L	Flex 75	45 mm	11J1/L
S	Flex 85	32 mm	12J1/S
M	Flex 85	38 mm	12J1/M
L	Flex 85	45 mm	12J1/L
S	Flex 95	32 mm	14J1/S
M	Flex 95	38 mm	14J1/M
L	Flex 95	45 mm	14J1/L



## Elastic Joint Dummy

for Artikon.junior

- material: polyurethane (PUR)
- spacer for deep drawing

### Components

2 dummies incl. 4 nails

Size	Length	Item-No.
S	34 mm	10J1/SE2
M	40 mm	10J1/ME2
L	47 mm	10J1/LE2



## Dorsal Stopper für Elastic Joint

for Artikon.junior

- material: steel, zinc-plated
- elastomers
- to inhibit the plantar flexion in the upper ankle

### Components

deflection bumper, threaded part, securing nut, washer, rivet

Item-No.
13J1





## Screws and Nuts for Elastic Joint

for Artikon.junior

### Components

10 screws (L), 10 threaded bushings (M)

Size	Thread L	Thread M	Item-No.
S	M3,5 x 8	M3,5	10J1/SE10
M/L	M4 x 9	M4	10J1/ME10

# Explanation of Symbols

## Danger Symbols



Corrosion



Exclamation mark



Environment



Streifeneder  
ortho.production GmbH  
Moosfeldstrasse 10  
82275 Emmering  
Germany  
T +49 8141 6106-0  
F +49 8141 6106-70  
export@streifeneder.de  
www.streifeneder.com/op



100W208/E 2019-01

This brochure is protected by copyright.

Reproduction of the complete brochure, even in abstracts, in any form or by any means, is only permitted with explicit written authorisation of the Streifeneder ortho.production GmbH.

The indicated measurements and weights are guide values without obligation. During the delivery period, changes in design or form, deviations in colour as well as modifications of the score of delivery shall remain reserved on part of the manufacturer, as long as the purchased product is not substantially altered and as long as the changes are reasonable for the buyer.

Products are subject to change without prior notice after press date of this brochure, 2019-01-14.

Our general terms and conditions apply; they can be viewed anytime at [www.streifeneder.com/op](http://www.streifeneder.com/op).